

XIAMEN YOUME ELECTRIC CO.,LTD

Room 112,Changjiang Business Center 1/F,No.270 ChangHao Road,Xiamen,China



Tel:86-592-5612511 Fax:86-592-5626361

E-mail:sales@singflo.com

Oil Gear Pump



Typical Application:

Extreme duty
Transmission fluid
(Diesel, Lubricant and viscous liquids)Industrial use

Specifications

Motor

High Quality Efficient Motor
Permanent Magnet Type
Seamless Shell Design
Thermally Protected Motor
Stainless Steel Shaft bearing reversible
Duty Cycle: working intermittent

Power:

10 amps max current draw

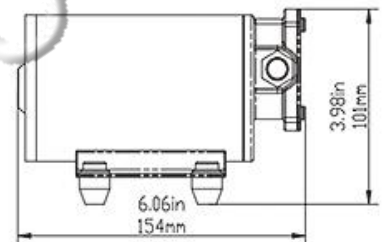
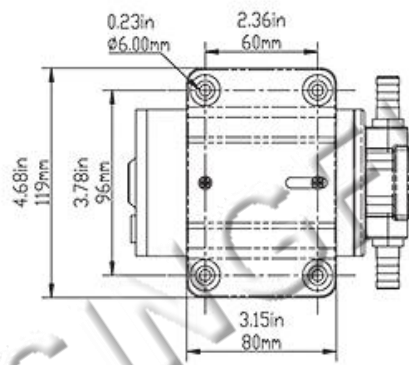
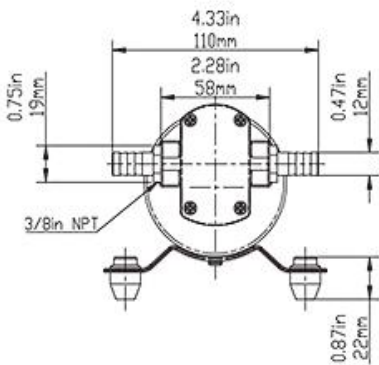
Material of Contruction

Body Material: Bronze
O-ring Neoprene Compound
Seal Lip Type

Pump

Liquid Temperature:140°F(60°C)Maximum
Self-Priming: 3.0m vertical lift
Ports Size: 3/8"BSPT Female thread
Pressure:can generate pressures up to 2 bar(30psi)

Technical Data						
Model	Volt	Flow LPM(GPM)	Impeller	Amp Draw(A)	Max.Amp Draw(A)	Packing Size (mm)
FP-12	12	14/3.68	Copper	7	10	215*135*110
FP-24	24	14/3.68	Copper	4	6	215*135*110





Flexible Impeller Pump



Typical Application:

Used in marine to drain water on deck and wash deck

Specifications

Motor

- High Quality Efficient Motor
- Permanent Magnet Type
- Seamless Shell Design
- Thermally Protected Motor
- Stainless Steel Shaft bearing reversible
- Duty Cycle: working intermittent

Feature:

- *Easy Installation
- *High Flow and Excellent suction
- *Bilge debris presents no problem to this bronze bodied,flexible impeller design

Material of Contruction

- Body Material: Bronze
- Impeller: NBR Rubber
- Seal Lip Type

Pump

- Liquid Temperature:140°F(60°C)Maximum
- Self-Priming: 3.0m vertical lift
- Ports Size: 3/4"BSPT Female thread

Installation:

- Should be installed in a dry,well ventilated position.
- Must not run dry.It is better to work with a bilge control panel to avoid running dry.

Technical Data						
Model	Volt	Flow LPM(GPM)	Impeller	Amp Draw (A)	Max.Amp Draw(A)	Packing Size (mm)
YM3200-12	12	32/8.42	Rubber & Copper	8	10	215*135*110
YM3200-24	24	32/8.42	Rubber & Copper	5	7	215*135*110

